

Preparing Souls To Serve The Lord

VOLUME XIII

MARCH 1993

NUMBER 8

He Was Different

By

Jackie M. Stearsman

At times of trial and difficulty it is not easy to be faithful. However, difficulties are no justification for being unfaithful. Problems are not unique to us. They have been with man from the beginning (I Cor. 10:12-13). Problems test the substance of our make up (James 1:2-4) and if this is what it should be we may be vessels of honor, suitable for the Master's use (I Tim. 2:20-21).

Caleb was different from his contemporaries. Caleb succeeded while his brethren failed. Caleb enjoyed the blessings promised to all his people. These events have been written for our learning (Rom. 15:4). Let us consider some of the events in his life and appreciate our duty and responsibility today.

They murmured

The history of the exodus and the wilderness period of the nation of Israel is one of continued complaint (Ex. 15-17; Numb 14, 16, 17; Deut. 1:27; Joshua 9:18). This complaining and contempt was directed both toward God and toward Moses. Complaining and murmuring is often seen and

heard today. Caleb faced the same difficulties and hardships as did the others. He did not murmur. Caleb was different.

They rebelled against leadership

Miriam and Moses spoke against Moses and were rebuked for it, especially Miriam (Numb. 12). Korah, Dathan and Abiram led a rebellion against Moses and Aaron and it cost many souls (Numb 16). Caleb was not a part of this. He was different.

They were sexually immoral

During the days of Caleb some of his brethren committed fornication. God disciplined them for doing so (I Cor. 10:8; Rev. 2:14, 20). He could have chosen to do the same, and he could have given approval for their wrong as do some

Surely they shall not see the land which I swore unto their fathers, neither shall any of them that provoked me see it: But my servant Caleb, because **he had another spirit with him, and hath followed me fully,** him will I bring into the land whereinto he went; and his seed shall possess it (Numb. 14:23-24). See also Deuteronomy 1:36 and Joshua 14:6-15.

today, but he did not. Caleb was different.

They followed the crowd

The nation of Israel listened to the ten spies who misled them and forfeited their right to the promised land (Numb 13-14). Joshua and Caleb resisted them and remained faithful in the wilderness under Moses. They entered the promised land. Truth and righteousness is not determined by the majority or the minority. Truth is objective and obedience to it brings God's approval. Caleb was different.

They were covetousness

In taking Jericho Achan and his family defied God's orders and took that which was forbidden. It brought destruction to themselves and problems for the nation. The nation could not prosper until this sin was removed (Joshua 6-7). Caleb was

different.

He asked for the mountain

The children of Joseph desired more but seemed to be unwilling to pay the price to obtain it (Josh 17:14-18). They were told to take it and to drive out the opposition. Caleb asked for the mountain where giants and walled cities were. He had said earlier that they could take it. He asked now for the opportunity to do what he said was possible. He succeeded (Numb 14:12). Caleb was different.

Wherein was the difference?

It was not in his age. They were all living at the same time. It was not because he had no temptation. They all faced the same foe on a daily basis. His distinction was in his attitude; he had a different spirit. They failed because they had a spirit of rebellion; he succeeded because he had a spirit of obedience. He chose to fully, w h o l l y , completely follow what God said; they did not.

C a l e b teaches us we do not have to follow apostate brethren who choose not to follow fully what God wills. Caleb teaches us that we can receive and understand the message of God. Caleb teaches us

that we can apply the message of God fully and wholly to our lives. Caleb teaches us that we can succeed while others about us may be failing. Caleb teaches us that while leaders may fail God those not in "great" leadership positions may succeed. It is not easy to play "second fiddle" but it can be done admirably. Caleb was different, are we?



Dear Brethren,
The Florida Avenue Church of Christ [Tampa, Florida] in setting our budget for the year of 1993, wanted to become more involved in the mission work of the church and our first thought was to look at the mission work that we supported for the year of 1992.



We decided to increase our support that is being done at the school of preaching for the amount . . . we gave in 1992 to the amount . . . for the year of 1993.

We are very proud of the work that is being done by the school to train and send sound gospel preachers out into the world to serve Christ and to preach the Gospel.

In his service for the elders

Edward R. Chambers



Second Year Greek Possibilities

Each year the board of directors must approve our schedule of classes for the entire year. The classes for 1993-1994 must be decided in the spring of this year. Some of the first year Greek class are interested in having second year Greek offered next year. In time past there have been students who have graduated and are preaching in the area that have expressed an interest in the class.

If you would be interested in having a reading class in Greek please let the office know. It will make a difference in whether we offer it or not. There must be enough students to justify having the class.

Do not delay. If you are interested let the school know immediately.

The Harvesters

Published Monthly by the Florida School of Preaching
 1807 South Florida Avenue, Lakeland, Florida 33803
 (813) 683-4043

Editor: Jackie M. Stearsman

Board of Directors

- | | |
|--------------------------------|---------------------|
| Gordon Methvin, President | Kenneth W. Franklin |
| Paul Thomhill, Vice President | George K. French |
| J. H. Blackman, Jr., Secretary | Wallace Maxwell |
| E. Robert McAnally, Treasurer | James Medlin |
| B.C. Carr, Director Emeritus | Dale Spung |
| Jack D. Cronk | Jackie M. Stearsman |
| Maurice Davis | Gene Stiiwell |

TRAINING PREACHERS SINCE 1969

[The Lectureship, Billy R. Davidson, preacher for the Central Church of Christ, Clearwater, Florida, writes the following in his bulletin (1/31/93)]:

Last week I had the opportunity to be present for the annual lectures at the Florida School of Preaching. If I have counted correctly, there was a total of 32 lessons from God's Word and I heard 24 of them. All were powerfully presented by faithful brethren. There were large crowds present all the way to the end and a wonderful spirit prevailed.

Through the years I have been privileged to attend various lecture programs and have benefited from all. Of course, some are better than others but this may be more subject to personal tastes. But, the program last week has to be one of the best I have ever attended. Lessons were planned around the theme of the Old Testament Prophets with application to the needs of today. Brother Jackie Stearsman and the board of directors are to be complimented on the good job done in the planning of this program and the selection of the speakers. Also, it was very appreciated by me that brother Stearsman kept everything moving in proper order and with lectures beginning and ending on time.

From this lecture program there came no uncertain sounds! Every speaker build his lesson from the Bible and gave great emphasis to God's Word! Agreement by listeners was expressed often in the form of "Amen"! Those in attendance heard SERMONS and not speeches! We heard the Word of God and not "my opinion" or "I think" or "someone said", etc. There was no doubt where each speaker stood relative to God's Word. It was a wonderful feast of good things and I am thankful for

the opportunity to be in attendance as much as I was.



1/23/93



Dear Jackie,

Thank you for the opportunity to serve. The lecture-ship was great! I heard a lot of good comments from many brethren.

May God continue to bless your labors richly. I thank Him for your willingness to accept and fulfill the burden of directing a sound school in these unsound times.

Take care and God bless,

In Christ

/s/ Ted [Wheeler]

P.S. I am sending these tapes to the school of preaching in Ghana. Our "small" fellowship includes 100's of churches throughout the world!

Those around us with "guilt-complexes" must continually feel like they must press us for our fellowship and run us down. Keep on keeping on! [Ted is the preacher for the Venice Church of Christ, Venice, Florida. He and his wife both graduated from the Florida School of Preaching.]



Dear Bro. Stearsman,

Enclosed is a contribution check. We appreciate the good work you are doing with Florida School of Preaching. The "going" gets hard sometimes but we rejoice in the men who are being trained to preach the gospel.



I'm still preaching the Word here and in the South Georgia area at 78. Am thankful for reasonably good health and strength for study and research as

well as speaking.

The best to you and the Lakeland brethren with the whole school and church.

Yours devotedly in Christ,
/s/ Garvin M. Toms

P.S. We appreciate receiving the "Harvesters"

[Brother Toms has been a teacher in the school when he was preaching in the area. He has long supported us with funds to help us operate. We appreciate his kind words and support and know that others will enjoy hearing from him. His address in 1721 Dean Drive, Waycross, GA 31501.]



February 3, 1993



Dear Jackie,

[Brother Frank writes in part as follows:] In going through my briefcase this morning, I came across a copy of THE HARVESTERS featuring your article on liberalism from August, 1992; it will be used in a forthcoming issue of BIBLE LIGHT...and...[SIC] I would appreciate a place on your mailing list in order to assure a supply of Stearsman articles—and to follow the work at the school, lectureships, etc. Can you add my name? The address is seen below.

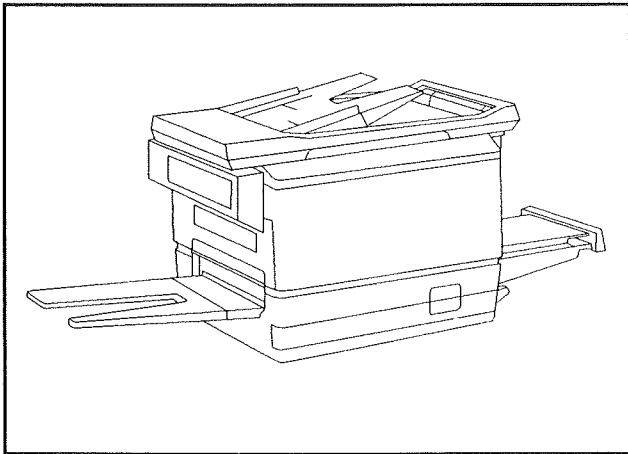
I thank you, Jackie, for your encouragement and help. You know this route of re-location, etc., and I am grateful for all you tried to do for me. God speed you in His work. Stand firm as you always have!

Yours in the Master's service,

/s/ Frank Starling
McMinnville, Tennessee



Copier Supplied By Beville Road Church of Christ Daytona Beach, Florida



COPIER

In our last issue we mentioned the need the school had for a copy machine. As usual when sincere brethren know of our needs they supply them. The Beville Road Congregation has been behind us for a number of years. They have gone the extra mile again and provided us with a Xerox copier. We are grateful to them for their fellowship in the work of training souls to serve the Lord.

Since this need has been resolved we are redirecting our efforts. We now want to secure a laser printer. This will enable our computer software to be more efficient and our correspondence in the office to be more professional looking.

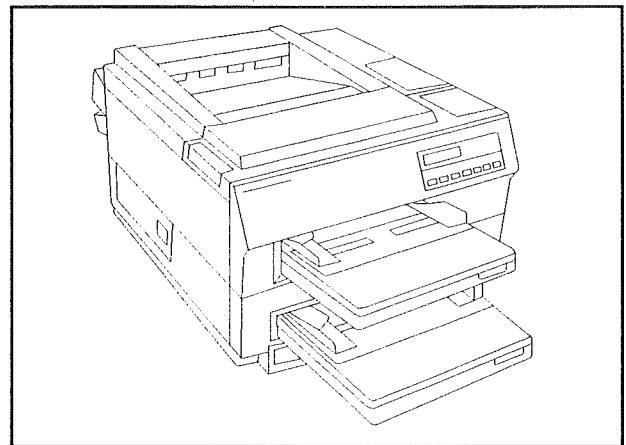
To all who help to sustain our work, thanks again. Without such assistance we could not con-

tinue nor be as effective in our work.

The funds that have been given toward the copier will be kept for the laser printer. When it is secured we will let you know. If you have an opportunity to put in a good word for the students, especially those graduating this year, do so. They would like to have the printer purchased by graduation.

Send funds to:

Laser Printer Fund
Florida School of Preaching
1803 South Florida Avenue
Lakeland, Florida 33803



LASER PRINTER

FLORIDA SCHOOL OF PREACHING

1807 SOUTH FLORIDA AVENUE
LAKELAND, FLORIDA 33803-2653

DIRECTOR: Jackie M. Stearsman
Phone (813) 683-4043

Address Correction Requested